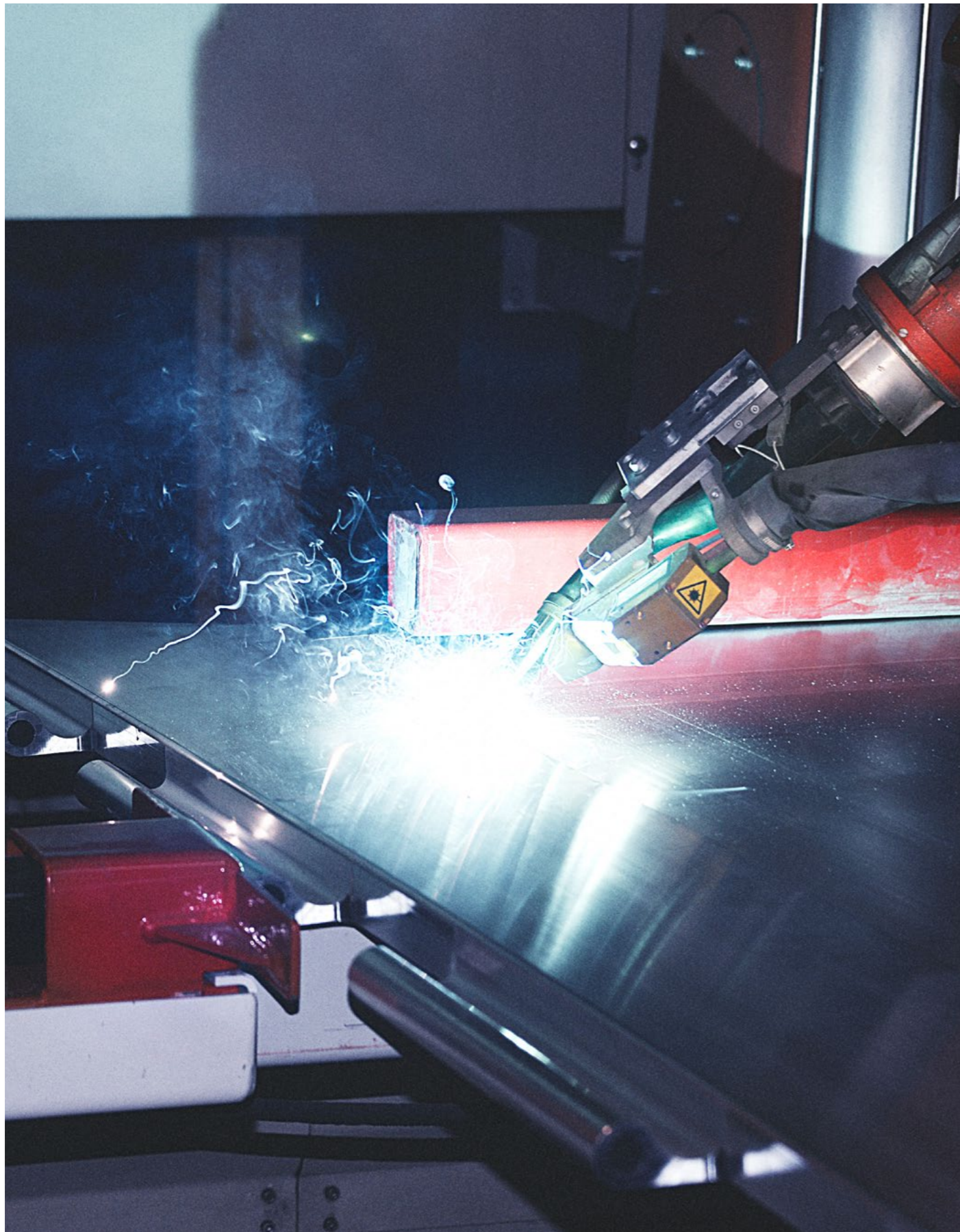


# Walking floor vehicles





# Pan-European competency.

For 150 years, Schwarz Müller has been making commercial vehicles for specific demands. Our customers benefit from this experience by the value added to their purchases.

**S**chwarz Müller Group is a family-owned enterprise based in Austria yet active internationally. Considered one of today's leading European commercial vehicle suppliers the Group centres its currently 21 sites in Central and Eastern Europe.

Schwarz Müller provides not only a broad range of vehicles but also optimised solutions for almost any industry. More than once, the premium manufacturer and innovation leader has set the pace regarding payload and handling and is thus decidedly adding value to everyday applications.

Another factor that has been speaking in Schwarz Müller's favour for decades is the Group's extensive service offering covering the entire product lifecycle: Significantly extends for vehicle's useful life. Services include everything from maintenance and OEM spare parts availability to rentals and leasing.

Schwarz Müller Group produces at four sites: Special-purpose vehicles are made at its Upper Austrian headquarters. Standard and near-stand-

ard vehicles are made in the Czech Republic and Hungary, whereas skip container vehicles are made in Neustadt/Dosse. Our annual production output amounts to about 11,000 vehicles. Over 350 service centres located along the major European transport routes ensure that your vehicles will remain available for everyday use.

Since 1871, Schwarz Müller has been working to win and retain industrial innovation and technology leadership based on the competency and know-how of its employees. Lightweight design and its benchmarks set by Schwarz Müller for over 25 years is but one example.

Other areas include construction, metal structures or welding where Schwarz Müller periodically kicks off new developments or often is the first supplier using new vehicle manufacturing technologies. This is how turn innovation into mass production. Thus, if you are looking for smart vehicle solutions, special requirements or top quality, try Schwarz Müller to find an ideal partner.

# Smart visionary vehicles.

A Schwarz Müller vehicle must successfully face various challenges. This is why construction makes the first difference.

**C**ompared to towing vehicles, the role of commercial trailers will further gain in importance because, owing to current traffic densities as well as infrastructural and legal constraints, the number of towing vehicles will grow but slowly. The performance of both trailers and bodies therefore needs to increase. Schwarz Müller is driving this development with smart designs: Bodies and trailers provide many improvement options from payloads, longer useful lives and simplified handling to cost reductions.

A competent and innovative team of over 2,150 development, design and manufacturing personnel share Schwarz Müller's vision and turn it into smart vehicle. Latest innovations such as the POWER LINE semitrailer, the first walking floor weighing less than seven tons or the thermo-tipper trailer for transporting temperature-controlled asphalt are impressive examples of this spirit of innovation.

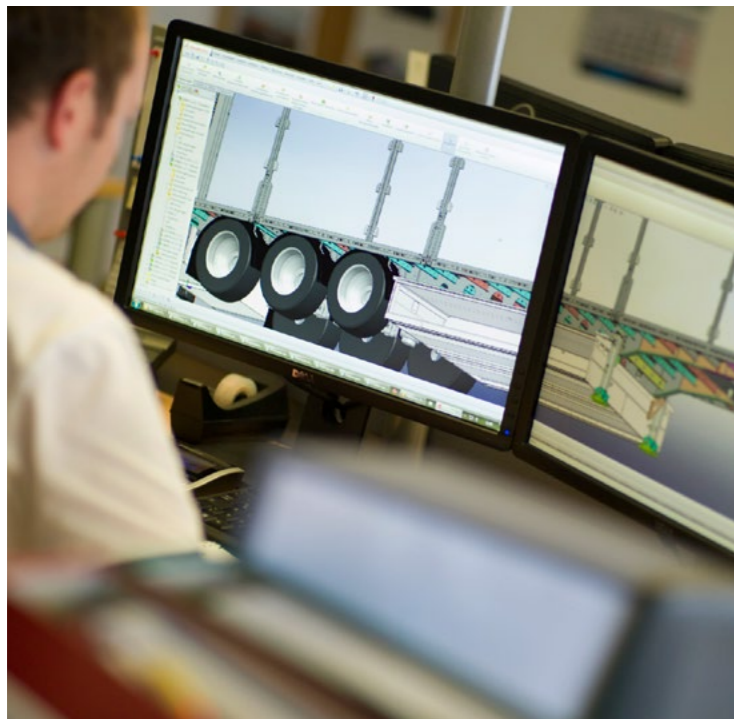
And quality is not an accidental feature of Schwarz Müller either: 3D design down to the

smallest detail and highly efficient quality assurance methods ensure that the vehicles are powerful performers in everyday practice.

A typical characteristic of Schwarz Müller is the specialised handling of steel and aluminium in production. It is one of fundamentals of the premium quality that Schwarz Müller vehicles are distinguished by.

The vehicles of the two Schwarz Müller and Hüf-fermann brands roll out to the construction sec-

tor, infrastructure companies, raw materials and reusables industries and short-distance & long haul forwarders. The enterprise is the only full-range supplier at premium level to make eight groups including a total of 150 different types of vehicles. Our more than 1,000 model variants satisfy almost any specific wish a customer may have. All of these vehicles share top-level quality, sturdiness, toughness and an optimised payload.



# Intelligent Solutions for Maximum Flexibility.

Walking floor vehicles from Schwarz Müller impress with a sophisticated premium concept ready for the transportation requirements of tomorrow. The combination of lightweight construction, sturdiness and flexibility creates high-performance commercial vehicles with a vast range of usage possibilities, across a variety of sectors.





# Cross-industry Commercial Vehicles.

Whether the timber industry, haulage or long-distance transport, whether bulk, piece goods, long objects or combined cargo – walking floor vehicles from Schwarzmüller offer the utmost flexibility in transportation and high efficiency in daily use.

In order to address the requirements of respective users more specifically, Schwarzmüller offers two different models: with an all-aluminium walking floor vehicles, Schwarzmüller creates added space for increased payload and reduced fuel consumption. The other model features a left-side door configuration with a robust steel chassis design. The advantages of the steel model are reflected primarily in the time

saving achieved during the loading and unloading of pallets. Both versions are also available as standard or high-volume models. In spite of this variety, there is one thing all models have in common: they share the same Schwarzmüller quality expectations – i.e. the greatest possible payload with low net weight and optimum stability.

## Overview of Industries and Transport Goods

- Timber industry: wood chips, bark, pellets, wood shavings, firewood etc.
- Disposal industry: glass breakage, aluminium and steel scrap, general waste, old tyres etc.
- Haulage/long-distance transport: raw materials (grains, beets), sand, gravel, slag, pallet goods, paper rolls, coal etc.

## Custom-optimisable. 100% accurate.

The configurations can be custom-adapted in line with customer or sector requirements in both models. Schwarzmüller's aspirations are reflected in a variety of configuration details and options, as well as the use of other components from major manufacturers.

	ALU standard model	ALU high-volume model	STEEL standard model	STEEL high-volume model
Shell capacity	91 m <sup>3</sup>	98 m <sup>3</sup>	90 m <sup>3</sup>	95 m <sup>3</sup>
Coupling height	1150 mm	960 mm	1150 mm	960 mm
Tyres	22.5"	19.5"	22.5"	19.5"
Weight	from 7 tonnes	from 7.3 tonnes	from 8 tonnes	from 8.3 tonnes

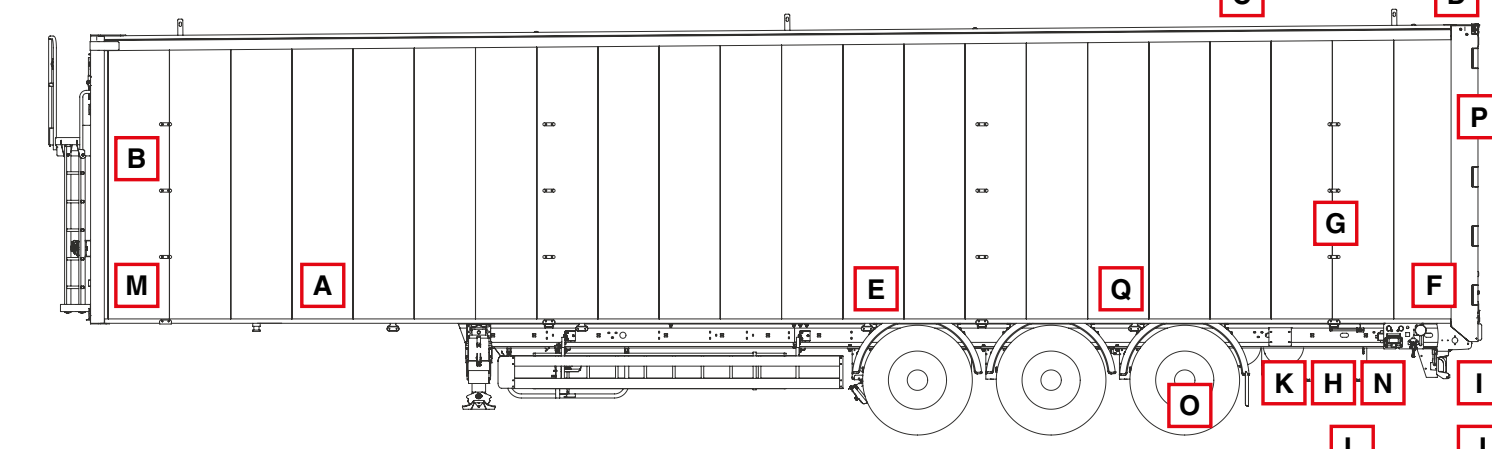
The Schwarzmüller walking floor vehicles raises the bar for payload, handling and service life - even in the standard model - and offers countless solutions that guarantee superior performance in everyday use. Optional configuration details open up even more possibilities to improve the performance of the vehicle. The symbols indicate which configuration detail corresponds to which feature.

## Standard Equipment.

## Optional Equipment.

### LEGEND

- ⊖ Efficiency
- ⊕ Stability
- ⚠ Driver safety
- ⊕ Load safety
- ⊕ Added value



**1 Aluminium floor profiles**  
Available with smooth or profiled surface. Material thicknesses of 6, 8 or 10 mm can be selected depending on the transport goods.

**2 Moving partition wall**  
Mounted separately on rollers with pull-tarpaulin, the partition wall moves backwards with it during unloading, ensuring nothing is left behind during unloading.

**3 Side wall profiles**  
Side wall profiles can also be continuously welded, thereby protecting against the penetration of acids and blistering on the exterior wall.

**4 Double-articulated hinges at side doors**  
The parallel positioning of the door and the double bearings facilitate easy folding back of the side walls and 180-degree opening.

**5 Roller tarpaulin**  
The tarpaulin is unrolled and rolled up from the stand using a connectable crank lever and an aluminium lath. This way the cargo is protected from loss as well as the elements.

**6 Stand for roller tarpaulin**  
The stand with guard railing is positioned at the front wall and can be accessible from both sides. The unrolling and rolling up of the roller tarpaulin is controlled from here.

**7 Cross braces**  
Cross braces prevent the side walls from bulging and make the structure more stable. There is a notice to this effect for the loader on the outer wall.

**8 Pneumatic safety lock**  
The rear doors do not open until the lock at the side is unlocked. Unloading is therefore risk-free for the driver and the risk of accident minimised.

**9 Control box with ground control**  
With the side-mounted control box and 10-metre remote control cable, the driver can monitor the loading and unloading processes from the rear.

**10 Rear push-in ladder**  
The two-prong ladder with short stand is extendible and integrated in the rear frame. This offers the driver the option of climbing onto the loading surface from the rear.

**11 Impact protection**  
The impact protection feature mounted on the end plate prevents damage to the structure which could occur during the unloading and loading process while driving onto ramps.

**12 Protective cover for tail lights**  
A hinged cover at the rear of the trailer prevents any damage to the tail lights during unloading.

**13 Toolbox**  
Ideal for carrying tools.

**14 Control unit**  
The console at the back unites all control elements/valves for braking, pneumatics and the rear door safety catch in one central location.

**A Steel push floor profiles**  
Given their robust nature, the 4 mm-thick, smooth steel ground profiles are suitable for commercial vehicles used to transport steel scrap, for example.

**B Height-crankable partition wall**  
The moving partition wall can be fitted in such a way that it can be cranked up to a high level, thus creating more space for added pallets with more interior length.

**C Hydraulic hood**  
This allows easier and more convenient covering and uncovering of the cargo from the ground rather than from the stand, improving safety for both the driver and cargo.

**D Lifting roof**  
Available for sliding floors with side doors, this allows full use of the interior height during loading and is an ideal feature for tall cargo.

**E Floor lashing rings**  
Up to 23 pairs can be installed. The recessed lashing rings need simply be lifted and are ideal for securing any cargo aside from bulk goods.

**F Protective floor cover**  
The cover fitted on the chassis prevents bulk goods waste from getting between the floor profiles and compromising the smooth functioning of the walking floor.

**G Aluminium wear resistant plates**  
Primarily for scrap transportation: the plates attached on both sides at the rear reinforce the side walls, protecting against early wear and increasing service life.

**H Wireless remote control for floor control**  
Wireless remote control makes operation of the walking floor easy and thus handling too.

**I Discharge funnel**  
The funnel integrated at the rear on the outside - or in the vehicle floor on the inside - facilitates targeted unloading without any loss of material. Ideal for fine-grain bulk materials.

**J Grain feeder**  
The feeder integrated in the floor at the rear doors serves as a means of discharging smaller quantities of bulk cargo in a targeted and efficient manner.

**K Air hose reel**  
Up to 20 metres of extendible hose integrated in the toolbox, ideal for quick cleaning of difficult-to-access areas, self-retracting.

**L Spare wheel holder**  
This is any easy way to transport a replacement wheel en-route.

**M Cleaning door**  
The door integrated in the front wall enables access to the front loading space during unloading, where cleaning can begin simultaneously.

**N Information system**  
This control unit for trailers offers data and control functions such as tyre pressure monitoring, brake wear indicator, lifting axle control etc.

**O Steering axle**  
Available as a friction-steered trailing axle or a electrically-driven steering axle. Allows greater trailer manoeuvrability and reduces tyre wear.

**P Hydraulic tailgate**  
Easy and quick opening from driver's cabin using remote control. Almost 100%-water-tight configuration available.

**Q Paper roll transport**  
The cargo protection system enables the secure transportation of paper rolls. Built-in Joloda rails serve to aid the loading and unloading of rolls.

# Best-in-class customer service.

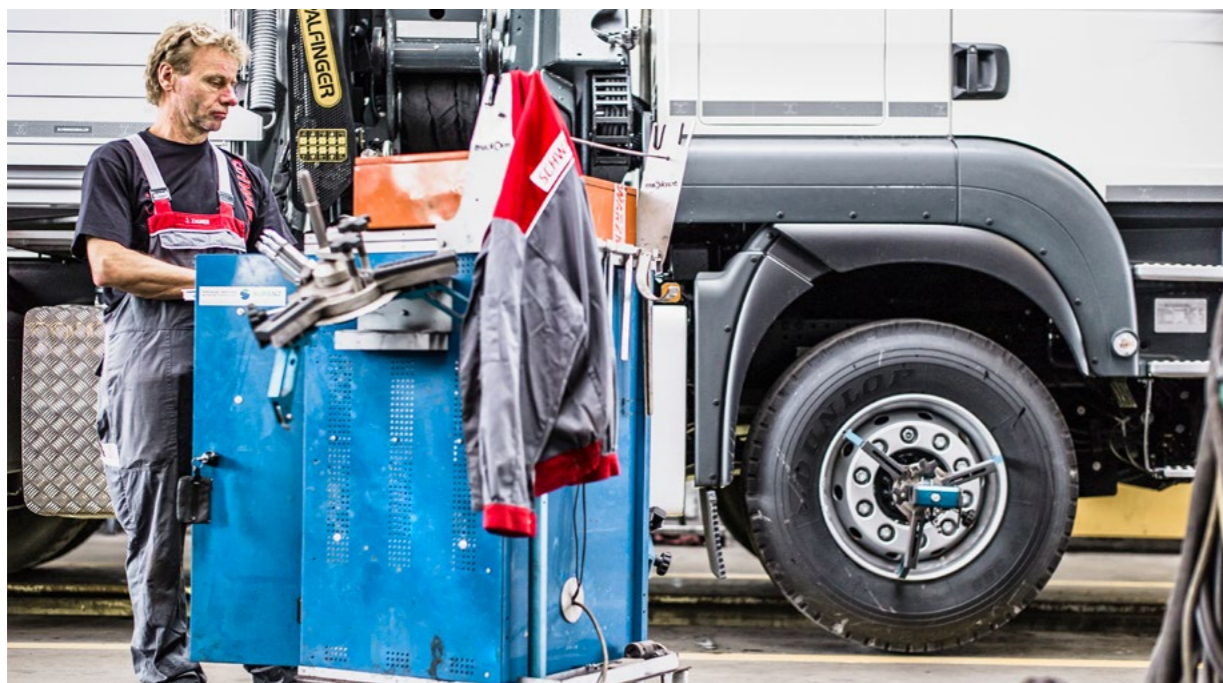
Single source for solutions matching any Schwarz Müller vehicle requirement.

**S**chwarz Müller benefits its customers not only with an extensive product portfolio but also with a complete system services offering. Customers can rely on pinpoint solutions throughout their vehicles' entire lifecycle - in currently 21 countries.

Our own network of garages plus 350 further service partners ensure that your Schwarz Müller will always be and remain a Schwarz Müller. Our experts know exactly how to best maintain and service a Schwarz Müller vehicle. An international logistics

network allows permanently available OEM spares to be supplied rapidly.

Schwarz Müller runs one of Europe's largest fleet of hired standard and special-purpose vehicles. It helps you buffer peak demands without having to do without premium quality. Also ask for Schwarz Müller's tailored leasing opportunities. Schwarz Müller's own Financial Service or an external partner's service with or without a service agreement: It is always up to the customer to opt for the perfect answer to their needs.



# Close to our customers in 21 countries.

**S**chwarz Müller Group and our sales partners currently run own sites (production, sales and service) in 21 Central and Eastern European countries. This international network and its about 2,150 employees are the basis of suc-

cessful relations with customers of many industries requiring challenging transport solutions. It allows Schwarz Müller to penetrate the entire market region with new vehicles and a portfolio of services throughout the entire lifecycle of its products.



- **MANUFACTURING SITES**  
Dunaharaszti (Hungary),  
Freinberg (Austria),  
Neustadt/Dosse (Germany),  
Žebrák (Czech Republic)
- **SALES COUNTRIES**  
Austria, Belgium, Bosnia,  
Bulgaria, Croatia, Czech Republic,  
Germany, Hungary, Italy, Latvia,  
Lithuania, Luxemburg, Netherlands,  
Poland, Romania, Russia, Switzerland,  
Serbia, Slovakia, Slovenia, Ukraine





# Intelligent full-range portfolio.

Schwarz Müller vehicles satisfy almost any transport need. From aluminium tank semi-trailer to centre-axle tipper trailers.

Schwarz Müller is proud of being able to supply its customers with smart vehicle for practically every application. Our eight product groups cover over 150 types of vehicles with more than one thousand model variants. All types of vehicles benefit from the know-how, core com-

petence and innovative power of the entire Group. They provide the perfect answer to the transport needs of the industries served. All Schwarz Müller vehicles stand for uncompromising premium quality to create real added value in everyday use.



**Timber/stanchion vehicles**

Timber



**Tipper vehicles**

Construction industry, agriculture, waste management



**Body building vehicles**

Construction industry, shipping/long haul transport, waste management



**Platform vehicles**

Shipping/long haul transport, construction industry



**Walking-floor vehicles**

Shipping/long haul transport, timber, waste management



**Tank vehicles**

Mineral oil



**Low-loader vehicles**

Construction industry



**Container transport vehicles**

Waste management

**Schwarz Müller Group**

Hanzing 11 · 4785 Freinberg · Austria

**Tel.:** +43 7713 800-0

**office@schwarzmueller.com**

**www.schwarzmueller.com**

***SCHWARZMÜLLER***