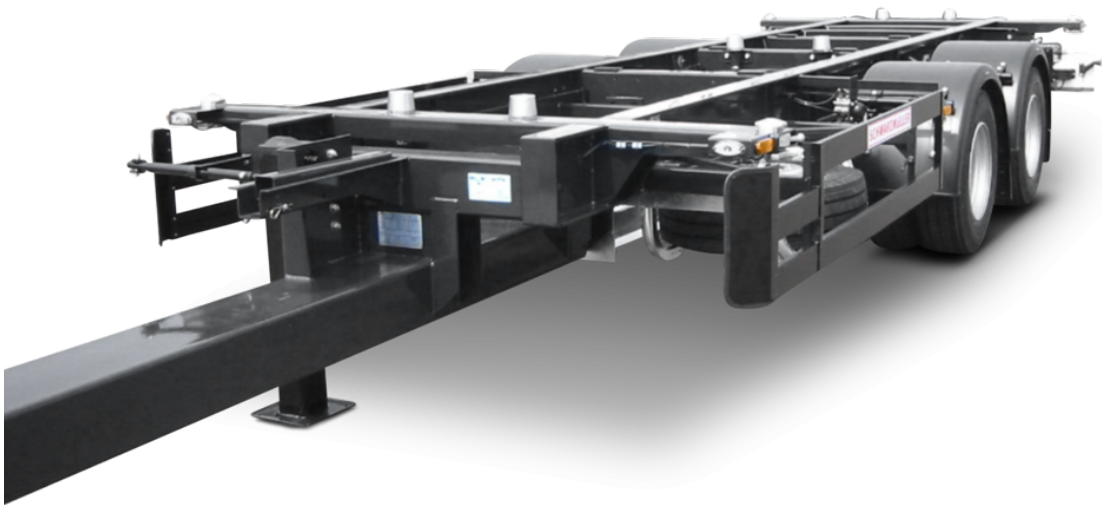


Centre-axle BDF low-loader trailer chassis



Product benefits

- Stop support at front, tiltable and relocatable
- 4 guide rollers
- Support beams with 4 container locks according to EN 284 (20 ft locking dimension)
- For swap bodies C715 (approx. rear-flush) or C745 with set-down height of approx. 960 to 1,050 mm
- Installation of axles from well-known manufacturers such as SAF or BPW
- OPTIONAL: Pull-out drawbar (+/- 200 mm), adjustable with pneum. locking
- OPTIONAL: 2 additional guide rollers = 6 in total
- OPTIONAL: Extended stroke = additional lifting and lowering height

Product details

TYPE DESIGNATION

CENTRE-AXLE BDF LOW LOADER TRAILER CHASSIS

WEIGHTS

Gross weight (perm.): 18 t

Gross weight (techn.): 19 t with 1 t drawbar load

Tare weight: approx. 3.2 t

DIMENSIONS

For swap bodies C745 (approx. rear-flush) or C782,
with set-down height of approx. 870 - 960 mm

Frame height, unladen

- Driving position approx. 910 mm
- Lowered approx. 840 mm
- Raised approx. 1,040 mm

FRAME

Centre-axle welded steel construction with fixed drawbar and 50 mm drawbar eye
for truck superstructure approx. 1,300 - 1,400 mm

2 outriggers with 4 container locks according to EN 284 (20 ft locking dimension)

Stop support at front, tiltable and relocatable

CHASSIS

Air suspension with lifting and lowering device

(lifting and lowering height approx. 200 mm)

Automatic adjustment of driving level from 15 km/h

Low-maintenance air-sprung low-loader axles, 2 x 9 t rigid

S-cam brake 300/200 mm, autom. brake linkage adjuster

Tyres :

8 x 235/75 R 17.5 141J, manufacturer as per factory specifications

8 steel wheel rims, 10-hole, with rim offset, silver

SUPPORT FIXTURES

1 support jack with crank at front, manufacturer as per factory specifications

2 foldable support legs at rear

BRAKE SYSTEM

Brake system according to EC Directive 71/320 or ECE R13

Two-line brake

EBS - electronic brake system

Knorr 2S2M = 2nd axle sensed

RSS - stability program

Spring-loaded parking brake on 2nd axle

Steel air tank

ELECTRICAL EQUIPMENT

24 V lighting system according to EC Directive 76/756/EWG

2 seven-chamber tail lights in underride protection

LED side marker lights

2 clearance lamps

2 contour lights on underride protection

Fixed cable(s) with 2 x 7-pin or 1 x 15-pin connector

PAINTWORK

Blasted with steel granulate, treated with zinc dust primer and spray painted
2-component acrylic paints for commercial vehicles (standard RAL or truck colour)

Plastic and hot-dip galvanised parts unpainted,
powder-coated attachments/installation parts black

Reflective contour marking strips across entire length of sides and on the rear (white on sides and red at rear by default), according to ECE 48

ACCESSORIES

Rear markings as per ECE standards

ATTACHMENTS

Wheel chock(s) as per regulations

4 guide rollers

Single wheel plastic mudguards with spray protection as per regulations

Aluminium underride protection, coated white

Side impact protection made from aluminium profiles as per regulations, coated black

Optional:

1 spare wheel bracket

Product impressions

