

3-axle POWER LINE sliding tarpaulin platform semitrailer



Product benefits

- Low corrosion, high-quality aluminium body components, tested according to EN 12642 XL
- Lightweight construction with perforated side members made from special high-strength Naxtra steel
- Perforated external frame with approx. 100 mm hole spacing, 40/25 mm slot according to DIN EN 12640 and 23 pairs of recessed 2.5 t
- Installation of axles from well-known manufacturers such as SAF or BPW
- Certified according to DC Directive 9.5, certified for beverages and barrel goods
- OPTIONAL: Version with sliding tarpaulin + side walls
- OPTIONAL: Sliding tarpaulin, adjustable on both sides
- OPTIONAL: Rear storage compartment between chassis frame
- OPTIONAL: Closed pallet box for 32 Euro-pallets, with a bulkhead and doors that tip up on either side

Product details

TYPE DESIGNATION

3-AXLE POWER LINE SLIDING TARPAULIN PLATFORM SEMITRAILER RH125

WEIGHTS

Gross train weight (perm.): 40 t

Gross weight (techn.): 39 t

Axle assembly load (techn.): 27 t

Fifth-wheel load (techn.): 12 t

Tare weight: approx. 5.2 t

DIMENSIONS

Internal platform length: approx. 13,620 mm

Internal platform width: approx. 2,480 mm

Total width: 2,550 mm

Load space internal height: up to 2,760 mm

Lateral loading height below guide rail: approx. 2,660 mm

Internal width between guide rails: approx. 2,430 mm

Portal loading height: approx. 2,620 mm

Portal loading width: approx. 2,480 mm

Loading height: approx. 125 mm over fifth-wheel height

FRAME

Welded steel frame construction - lightweight design

Frame for unladen fifth-wheel height of 1,100 - 1,170 mm with air-sprung STT

Replaceable 2" kingpin (EC installation dimension,

width across corners: 2,040 mm)

Perforated external frame with approx. 100 mm hole spacing, 40/25 mm slot according to DIN EN 12640 and 23 pairs of recessed 2.5 t lashing points

CHASSIS

Air suspension with lifting and lowering device (approx. +120/-80 mm)

Automatic adjustment of driving level from 15 km/h

air suspension unit with low-maintenance 430 mm disc brake axles

3 x 9 t rigid, wheelbase 2 x 1,310 mm

Tyres :

6 x 385/65 R 22.5 160J, manufacturer as per factory specifications

6 steel wheel rims 11.75 x 22.5, 10-hole, 120 mm rim offset, silver

SUPPORT FIXTURES

Mechan. 2 x 12 t support jacks, single-sided operation and thrust compensation, manufacturer as per factory specifications

BRAKE SYSTEM

Brake system according to EC Directive 71/320 or ECE R13

Two-line brake

EBS - electronic brake system

Wabco 2S2M = one axle sensed

RSS - stability program

Spring-loaded parking brake on 2 axles

Aluminium air tank

FLOOR

Resin-coated plywood floor, 28 mm, force-controlled, flush with external frame

2 aluminium top-hat rails over the longitudinal beams,

(floor load capacity 7,200 kg stacker axle load according to CSC)

ELECTRICAL EQUIPMENT

24 V lighting system according to EC Directive 76/756/EWG

2 seven-chamber tail lights in underride protection

LED side marker lights

2 clearance lamps

2 contour lights on underride protection

2 x 7-pin and 1 x 15-pin socket

PAINTWORK

Blasted with steel granulate, treated with zinc dust primer and spray painted with 2-component acrylic paints for commercial vehicles (standard RAL or truck colour)

Plastic and hot-dip galvanised parts unpainted,

powder-coated attachments/installation parts black

Reflective contour marking strips across entire length of sides and all-round contour marking at rear (white on sides and red at rear by default), according to ECE 48

ACCESSORIES

Rear markings as per ECE standards (horizontal on rear doors/rear wall)

ATTACHMENTS

- Rear crash guard with portal post protection and lower post reinforcement
 - Wheel chock(s) as per regulations
 - 1 x retractable step unit at rear right
 - Single wheel plastic mudguards with spray protection as per regulations
 - Aluminium tarpaulin mounting strips bolted on both sides of external frame
 - Side impact protection made from aluminium profiles as per regulations, coated black
 - 1 spare wheel bracket for 1 spare wheel (rear right)
 - 1 plastic toolbox, lockable, unpainted , on left after axle
-

SIDE WALLS/SLIDING TARPAULIN

- Fixed sandwiched front wall, 2,400 mm
 - 2 lashing rings inside for load securing
 - Closed with tarpaulin over front wall, in same colour as side tarpaulin

 - Plastic sliding tarpaulins on both sides with load certification according to Code XL; welded horizontal and vertical strap reinforcements incl. turnbuckles as well as front and rear bolt locks, openable on all 4 corners, with ratchet tensioner at rear,
 - tarpaulin sealed against external frame,
 - tarpaulin manufacturer as per factory specifications, tarpaulin colour according to availability
 - Aramid-reinforced plastic roof tarpaulin, translucent

 - Bolted portal at rear with aluminium corner posts, upper crossbeam with forward-sliding cover, incl. fully opening double door in profile design covering entire load space height, each leaf equipped with 2 internal espagnolettes
-

POSTS/COVER

- 2 fixed aluminium corner posts at front, bolted, protruding from sides
- 3 centre posts on left in direction of travel, movable across entire length

3 centre posts on right in direction of travel, movable across entire length

4 rows of slat pockets, 1st pocket row at bottom 460 mm, spacing approx. 160/450/450 mm, with just 3 rows of aluminium pointed slats 100/25 mm

Versus sliding cover with plastic brackets, forward-sliding with automatic elevation, limited backward movement (opened from above) = pushed together in loading area, with vertical and horizontal guide rollers = smooth operation

Aluminium guide rail profile on both sides for sliding tarpaulins and posts, design height 140 mm

Control rod for sliding tarpaulin (bracket on interior side protection)

Product impressions



Underride protection: Prevents other vehicles from underriding the rear trailer end in conformity with new EU regulations coming into force in 2021 (higher test loads).



Force-controlled resin-coated floor: 28 mm thick to support stacker axle loads up to 7,200 kg.



OPTIONAL: Quick slider: System for opening or closing the side tarpaulin within 5 seconds.



Lightweight frame: Finite element method calculations and road tests confirm its stability.



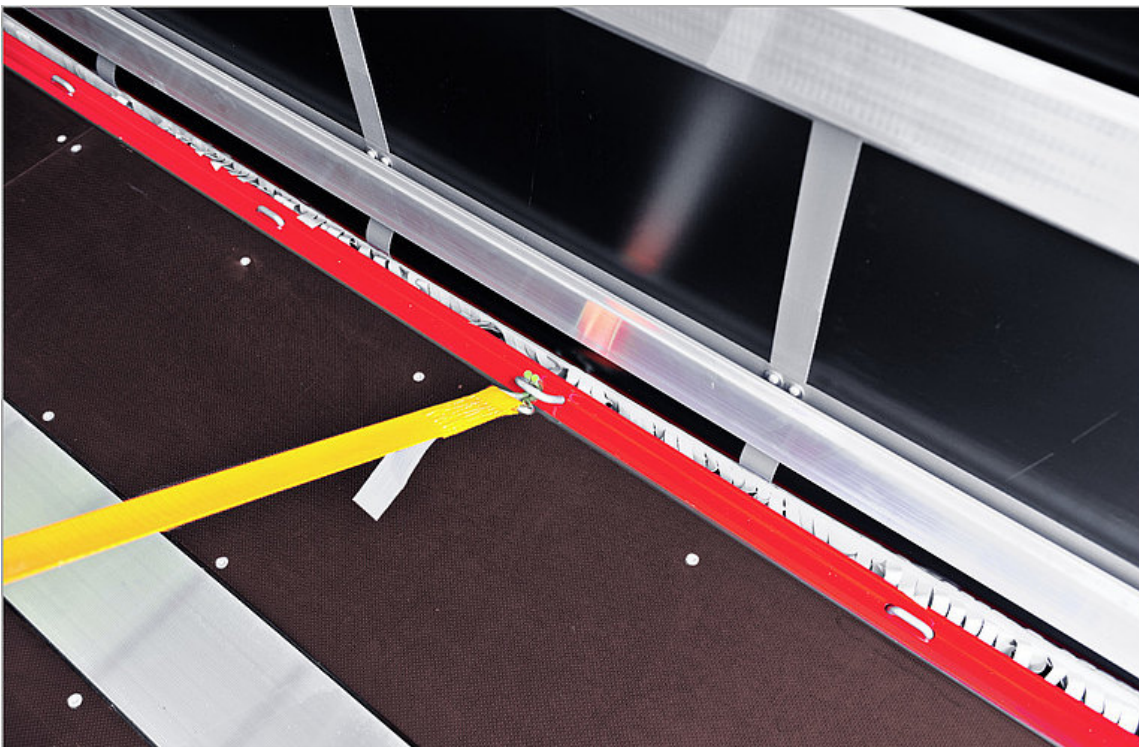
Single wheel mudguards: Reduce water spray caused by wheels rolling on wet roads and protect the underside of the floor.



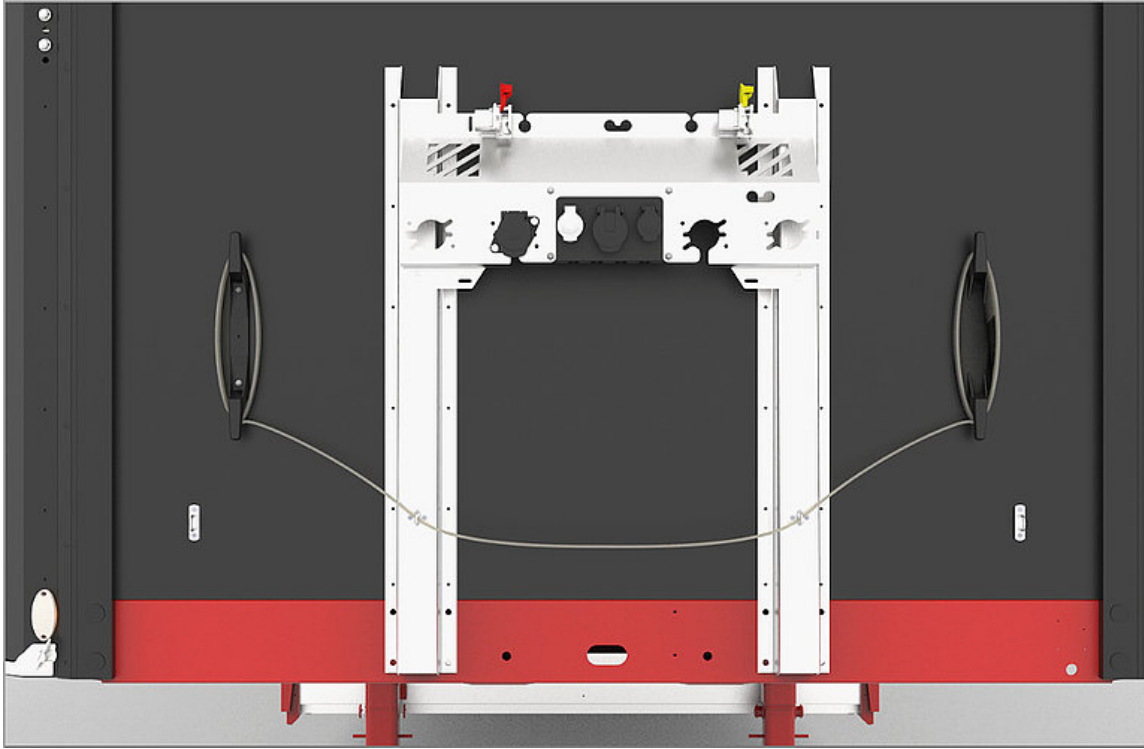
OPTIONAL: Portal frame with crank: Crank out the rear corner posts to generate more loading width at the rear end.



Perforated external frame: The perforated external frame not only allows for the lashing points but also for hooks for securing the cargo at any point.



Lashing points on outer frame: Located along the top edge of the loading platform to provide a convenient and easy means of securing the load.



Reinforced aluminium hollow profile front wall with integrated equipment bracket.

